

6" HANGTIME EZ SWING UP POLE SYSTEM



For the following packages: PR98GHT, PR98GHTJR, PR98SHT, PR98SXLHT, PR98UHT, PR98UHTJR, HT6060G, HT6060GS, HT6072G

Customer Service
(800) 247-7668

PARTS LIST

**Packaged Separately

Item	Qty	Description	Item	Qty	Description
A	1	Ground Anchor**	Q	1	5/8" X 5" Hex Bolt
B	1	Pole	R	4	5/8" X 1 1/2" Hex Bolt
C	1	Lower Arm	S	4	5/8" Lock Washer
D	2	Upper Arm	T	1	3/4" X 2" Hex Bolt
E	1	Crank	U	1	1/4" X 3" Hex Bolt
F	1	Height Gauge	V	3	1/4" X 2 1/2" Hex Bolt
G	1	Pointer	W	5	1/4" Hex Nut
H	1	Pole Cap	X	1	Backboard** (see table on page 4)
I	1	1/2" X 6 1/2" Hex Bolt	Y	1	Backboard H-Frame** (see table on page 4)
J	1	1/2"-13 Deformed Lock Nut	Z	8	5/16" X 1" Machine Screw
K	1	3/4" X 7" Hex Bolt	AA	8	5/16" Lock Washer
L	2	3/4" Hex Nut	BB	8	5/16" Hex Nut
M	2	3/4" Flat Washer	CC	1	BA32 Rim** (BA39U optional)
N	2	5/8" X 11" Hex Bolt	DD	1	Pole Pad** (If applicable)
O	3	5/8" X 12" Hex Bolt	EE	1	Backboard Padding** (If applicable)
P	6	5/8" Lock Nut			

- ◆ Inspect all contents prior to installation. Report any missing parts to dealer immediately.
- ◆ Read all instructions before proceeding.

Warning!

- **Improper installation, maintenance or use may cause product failure and serious personal injury.**
- **Two or three people in good physical condition and capable of lifting at least 90-100lbs each are recommended for safe installation and assembly.**

1. Remove the plugs from the bolt holes in the *Ground Anchor (A)* and inspect the threads to make sure they are in good condition. Re-install the plugs, they keep concrete and debris from getting into the bolt holes during installation.
2. Determine the footing location. When the *Rim (CC)* is at 10' height there is approximately 48" of safe play area. Make sure that when installed the edge of the *Ground Anchor (A)* is a minimum of 6" away from the playing surface. Contact your local utility location provider to avoid dangerous or inconvenient contact with buried utilities. The footing should be 14"-18" in diameter and 48"-50" deep. See Figures 1 & 2.

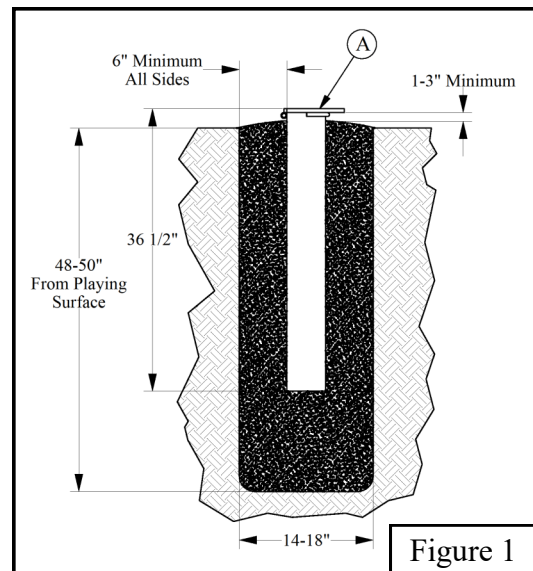
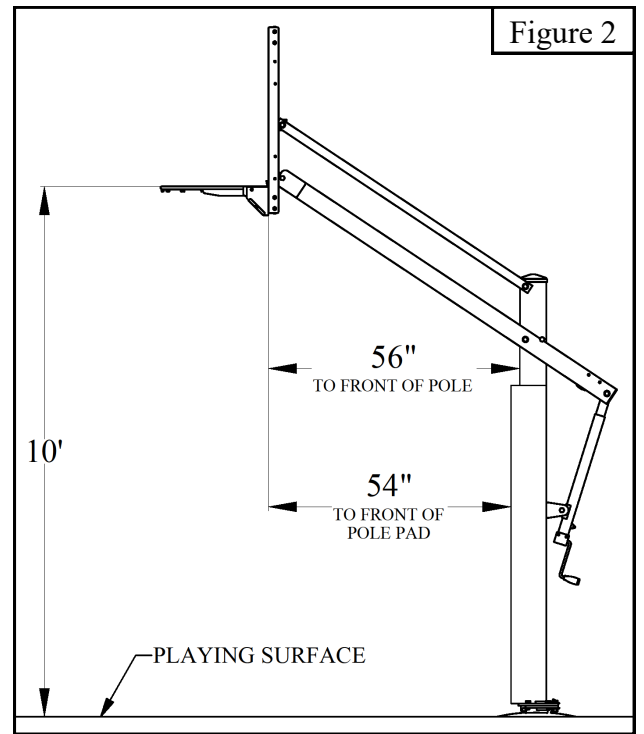


Figure 1

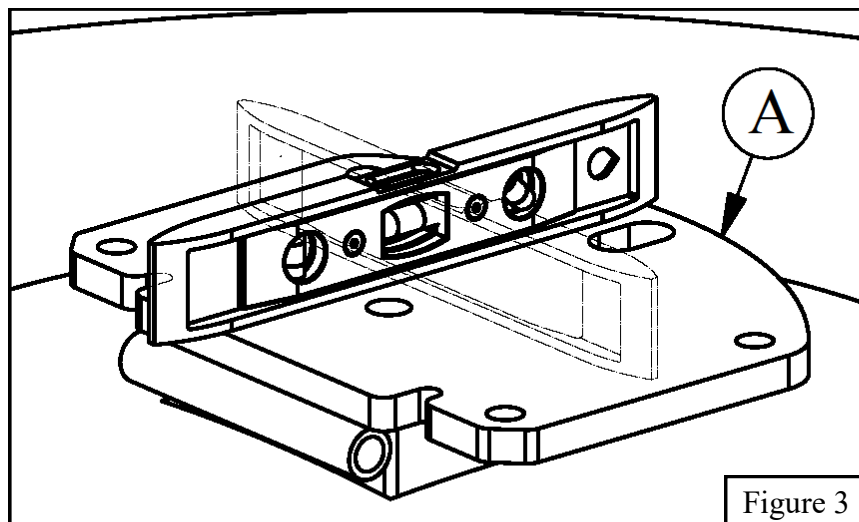
3. Before pouring the concrete, make sure you have the required tools available including: a level, a broomstick or similar pole to vibrate the concrete, and a tape measure to correctly position the *Ground Anchor (A)*.

4. Mix concrete per manufacturers instructions. Begin adding concrete into the hole until the concrete is approximately 28"-30" deep. It's a good idea for the first few batches of concrete to be mixed "wet". This will increase your working time and allow the *Ground Anchor (A)* to be inserted easier. As you add concrete insert the broomstick into the wet concrete and agitate it up and down repeatedly, this will help to remove air bubbles. See Figures 1 & 2.



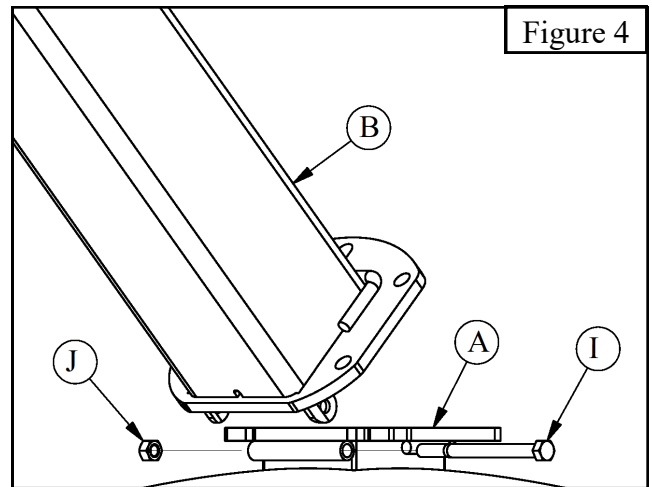
5. Position the *Ground Anchor (A)* in the center of the hole with the hinge side toward and parallel with the playing surface. The arrow on the decal must be pointing toward the playing surface. Using a level, ensure the *Ground Anchor (A)* is level front-to-back and left-to-right. All edges of the *Ground Anchor (A)* must be at least 6" away from all sides of the hole, and the top approximately 1"-3" above the playing surface. Continue adding concrete until concrete is within 1"-1.5" of the *Ground Anchor (A)* plate bottom, or level with the landscape. It's a good idea to mix the concrete towards the top drier than the other concrete put in prior. This will help keep the *Ground Anchor (A)* in place while the concrete cures. Periodically re-check the level of the *Ground Anchor (A)* in both directions as you add more concrete. See Figures 2 & 3.

Warning
 If the *Ground Anchor (A)* top plate is not exactly level in all directions when concrete is cured, the *Backboard (X)* and *Rim (CC)* will not be able to be leveled.



Important!
 Allow 48 hours for concrete to cure before proceeding.

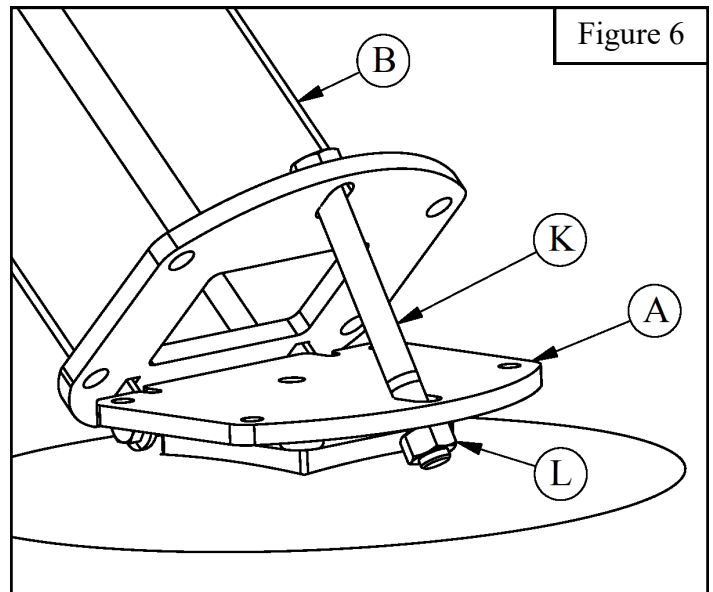
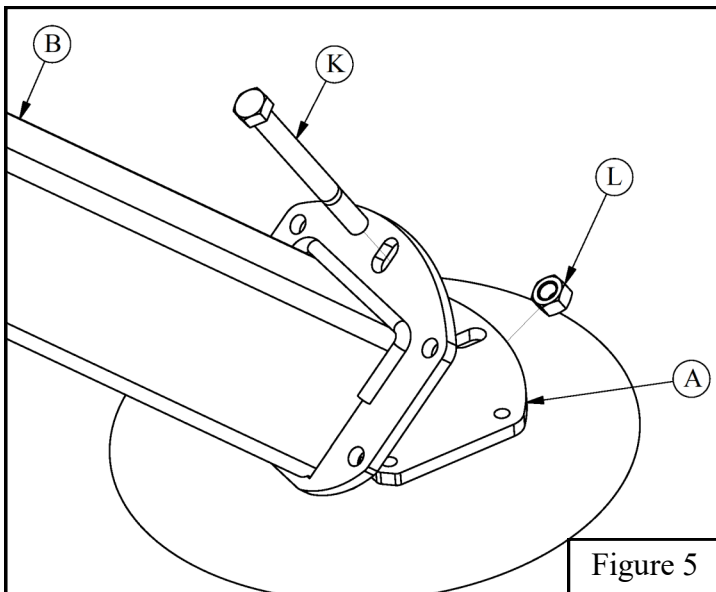
6. Remove the plugs from the threaded holes in the *Ground Anchor (A)*. Unpack the *Pole (B)* and *Crank (E)*. Align the hinge tabs on the *Pole (B)* with the hinge tube on the *Ground Anchor (A)*. Insert the $1/2'' \times 6 1/2''$ Hex Bolt (I) through the hinge tabs. Install the $1/2''-13$ Deformed Lock Nut (J) and tighten it before backing off $1/2$ turn or until *Pole (B)* can swivel on the *Ground Anchor (A)*. See Figure 4.



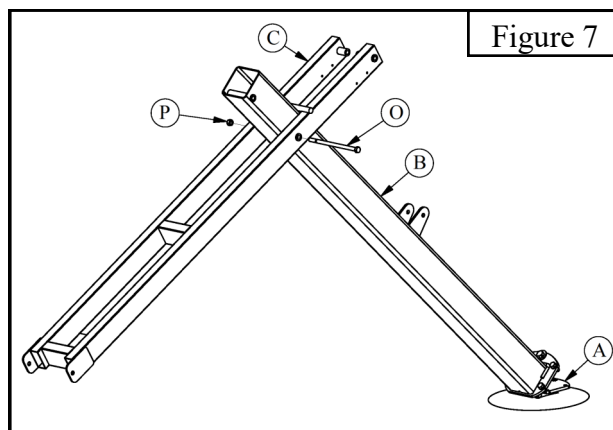
7. Lift *Pole (B)* to approximately 45° and install the $3/4'' \times 7''$ Hex Bolt (K) through the slot in the back of the *Pole (B)* bottom plate and then through the slot in the back of the *Ground Anchor (A)* top plate. Hand tighten a $3/4''$ Hex Nut (L) onto the $3/4'' \times 7''$ Hex Bolt (K). Make sure to tighten the $3/4''$ Hex Nut (L) onto the $3/4'' \times 7''$ Hex Bolt (K) until you see threads on the other side of the nut. See Figures 5 & 6.

Important!

The $3/4'' \times 7''$ Hex Bolt (K) and $3/4''$ Hex Nut (L) MUST remain in place until *Pole (B)* is raised and bolted to the *Ground Anchor (A)* top plate.



8. Lift the *Lower Arm (C)* over the top of the *Pole (B)*. Align the holes in the *Lower Arm (C)* with the lower holes in the *Pole (B)*. Attach the *Lower Arm (C)* to the *Pole (B)* with a $5/8'' \times 12''$ Hex Bolt (O) and a $5/8''$ Lock Nut (P). Tighten then back off $1/2$ turn. *Lower Arm (C)* must pivot freely. See Figure 7.



9. Attach the *Crank* (E) to the *Pole* (B) using a $5/8'' \times 5''$ Hex Bolt (Q) and $5/8''$ Lock Nut (P). Attach the other end of the *Crank* (E) to the *Lower Arm* (C) with a $5/8'' \times 12''$ Hex Bolt (O) and $5/8''$ Lock Nut (P). The *Crank* (E) may need to be extended to align the bolt holes. Tighten hardware snug against *Lower Arm* (C) and the tabs on the *Pole* (B), then back off $1/2$ turn. See Figure 8.

10. Attach *Upper Arms* (D) to the *Pole* (B) using a $5/8'' \times 11''$ Hex Bolt (N) and $5/8''$ Lock Nut (P). Tighten hardware then back off $1/2$ turn. This is a pivot point, do not over tighten. See Figure 9.

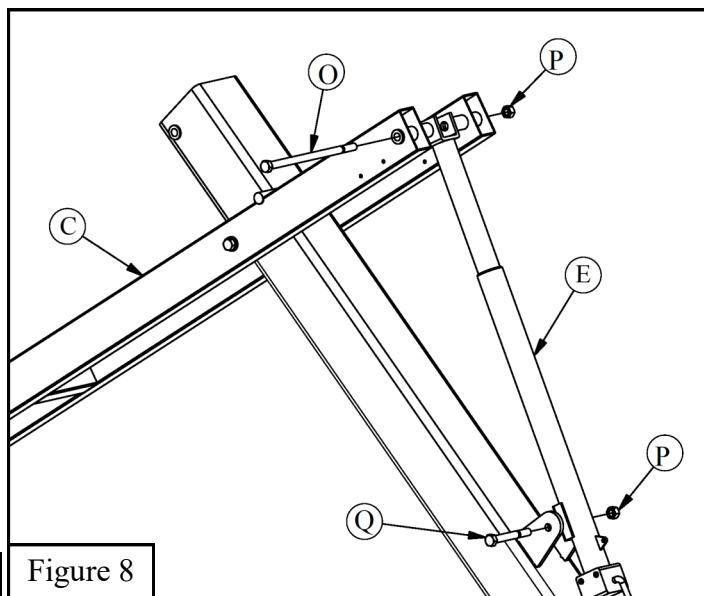


Figure 8

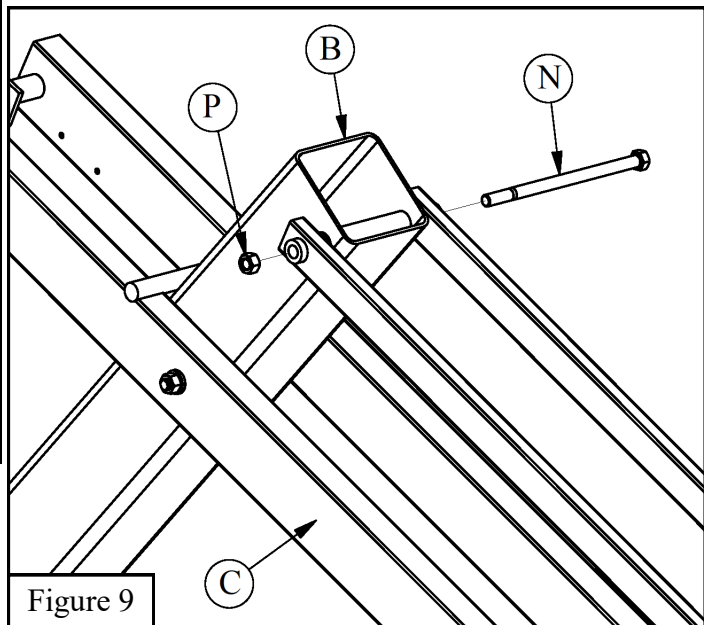


Figure 9

Package	Backboard	Required H-Frame
HT6072G & PR98GHT	BA42GHT	HT6HFRAME2
PR98UHT	BA42UHT	HT6HFRAME2
HT6060G	BA487	HT5HFRAME2
HT6060GSM	BA487SM	HT5HFRAME2
PR98UHTJR	BA487U	HT5HFRAME2
PR98SHT	BA47U	PR98SHTBKT2 (hardware packed with frame)
PR98SXLHT	BA472	PR98SHTBKT2 (hardware packed with frame)

11. Look at the table above to determine which instructions to follow for assembly of the *Backboard* (X).

HT5HFRAME2

FOR THE FOLLOWING PACKAGES: HT6060G, HT6060GS, PR98UHTJR, PR98GHTJR

1. Use the $5/16'' \times 1''$ Machine Screws (Z), $5/16''$ Lock Washers (AA) and $5/16''$ Hex Nuts (BB) to install *Backboard H-Frame* (Y) into *Backboard* (X). See Figure 10.
2. Once *Backboard* (X) is assembled refer to instruction 12 to complete system assembly.

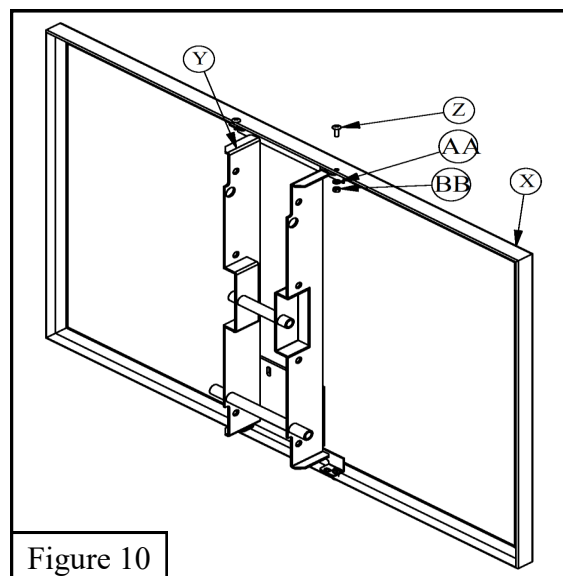


Figure 10

HT6HFRAME2

FOR THE FOLLOWING PACKAGES: HT6072G, PR98GHT, PR98UHT

1. Use the 5/16" X 1" Machine Screws (Z), 5/16" Lock Washers (AA) and 5/16" Hex Nuts (BB) to install Backboard H-Frame (Y) to Backboard (X). See Figure 11.
2. Once Backboard (X) is assembled refer to instruction 12 to complete system assembly.

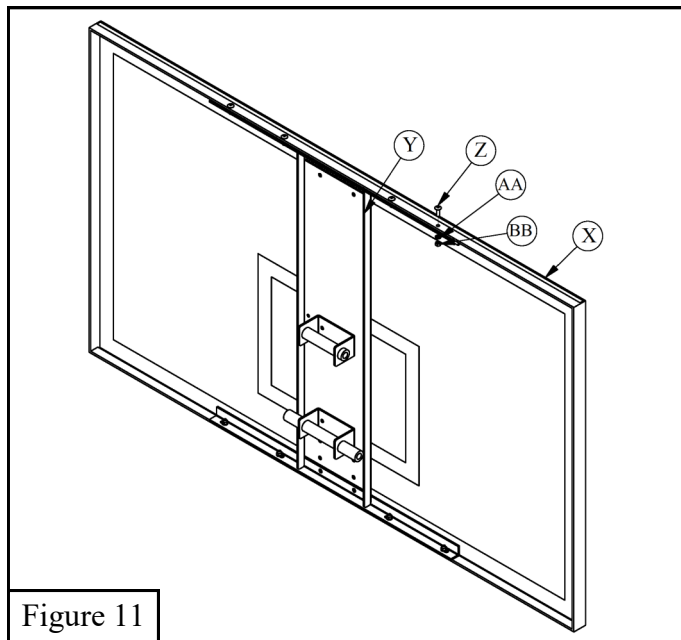


Figure 11

PR98SHTBKT2

FOR THE FOLLOWING PACKAGES: PR98SHT, PR98SXLHT

PARTS LIST

**Packaged with H-Frame

Item	Qty	Description	Item	Qty	Description
1	2	7/16" X 1 1/2" Carriage Bolt**	5	4	3/8" X 1 1/2" Hex Bolt**
2	2	7/16" Flat Washer **	6	8	3/8" Flat Washer (packaged with rim hardware)
3	2	7/16" Lock Washer**	7	4	3/8" Lock Washer (packaged with rim hardware)
4	2	7/16" Hex Nut**	8	4	3/8" Hex Nut (packaged with rim hardware)

1. Use 5/8" X 12" Hex Bolt (O), 5/8" X 11" Hex Bolt (N), and 5/8" Lock Nuts (P) to attach Backboard H-Frame (Y) to Lower Arm (C) and Upper Arms (D). Do not overtighten hardware, make sure the Lower Arm (C) and Upper Arms (D) pivot and adjust up and down freely. See Figure 12.
2. Hang Backboard (X) over the top lip of Backboard H-Frame (Y). Use 7/16" X 1 1/2" Carriage Bolts (1), 7/16" Flat Washers (2), 7/16" Lock Washers (3) and 7/16" Hex Nuts (4) in the top two holes of Backboard (X) and Backboard H-Frame (Y). Hand tighten hardware at this time. See Figure 12.
3. Use 3/8" X 1 1/2" Hex Bolts (5), 3/8" Flat Washers (6), 3/8" Lock Washers (7) and 3/8" Hex Nuts (8) to install Rim (CC). Hand tighten hardware at this time. See Figure 12.
4. Level Backboard (X) and Rim (CC). Tighten all hardware.
5. Refer to instruction 14 to complete system assembly.

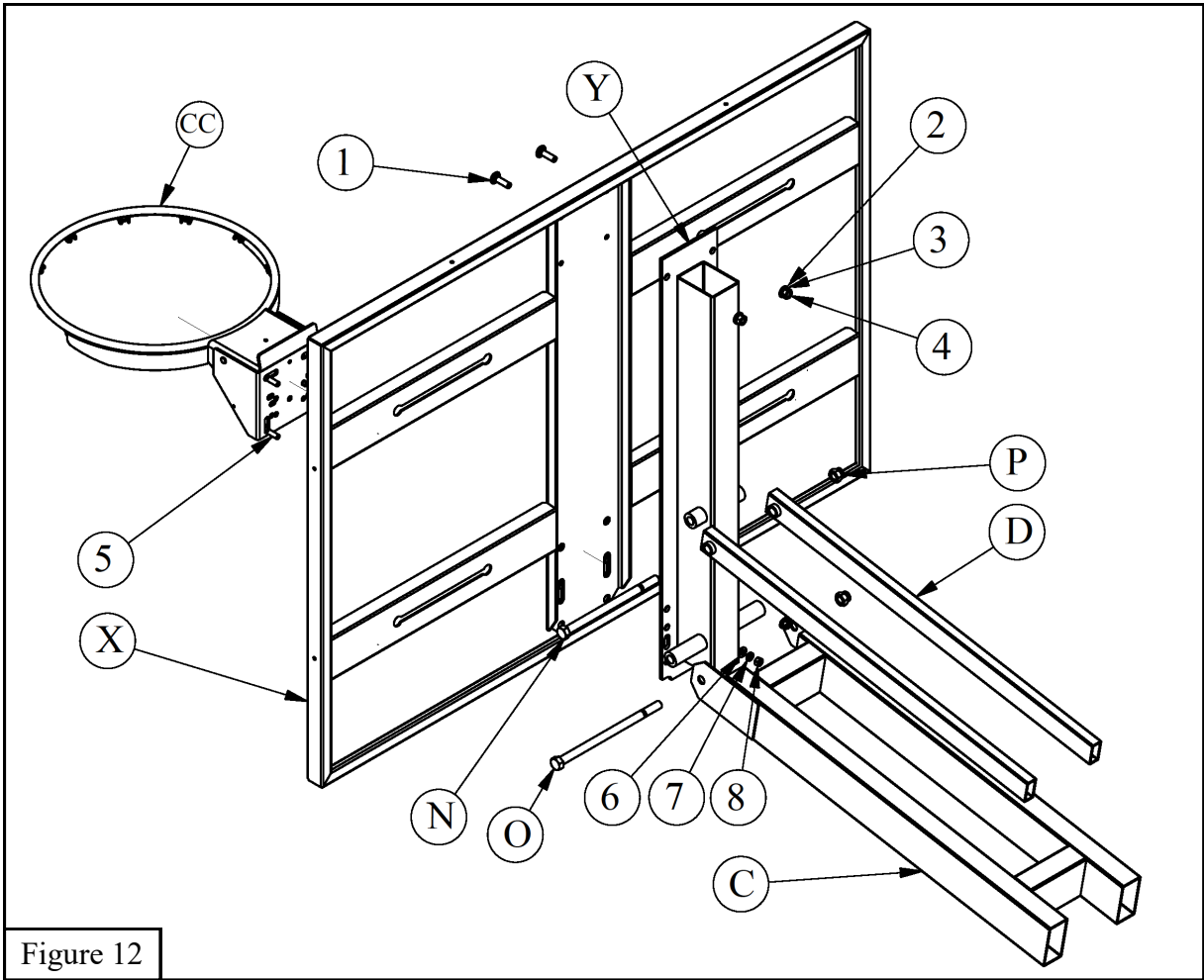


Figure 12

12. Lift the assembled *Backboard (X)* and *H-Frame (Y)* up and align it with the bolt holes in the *Lower Arm (C)*. Using a $5/8'' \times 12''$ *Hex Bolt (O)* and $5/8''$ *Lock Nut (P)* attach the *Backboard (X)* to the *Lower Arm (C)*. Tilt the *Backboard (X)* up and attach it to the *Upper Arms (D)* with a $5/8'' \times 11''$ *Hex Bolt (N)* and $5/8''$ *Lock Nut (P)*. Tighten and then back off 1/2 turn. See Figure 13

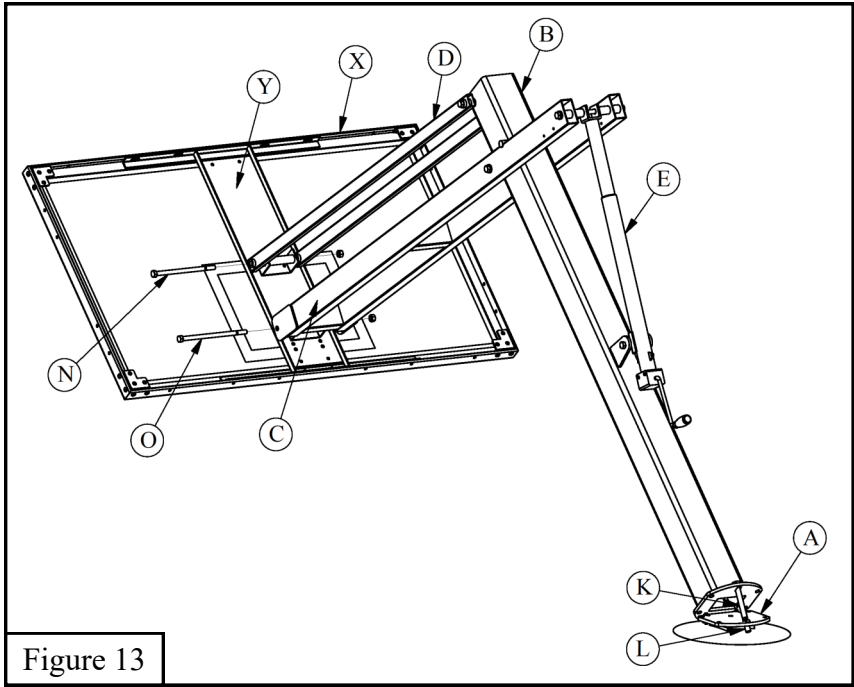
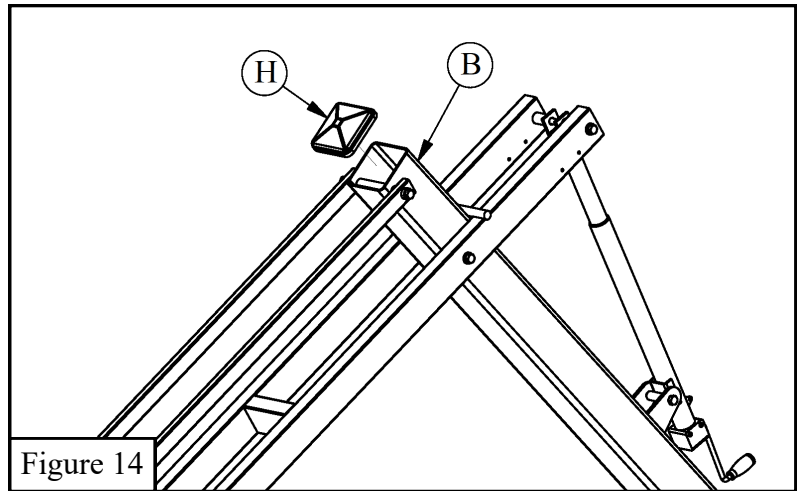


Figure 13

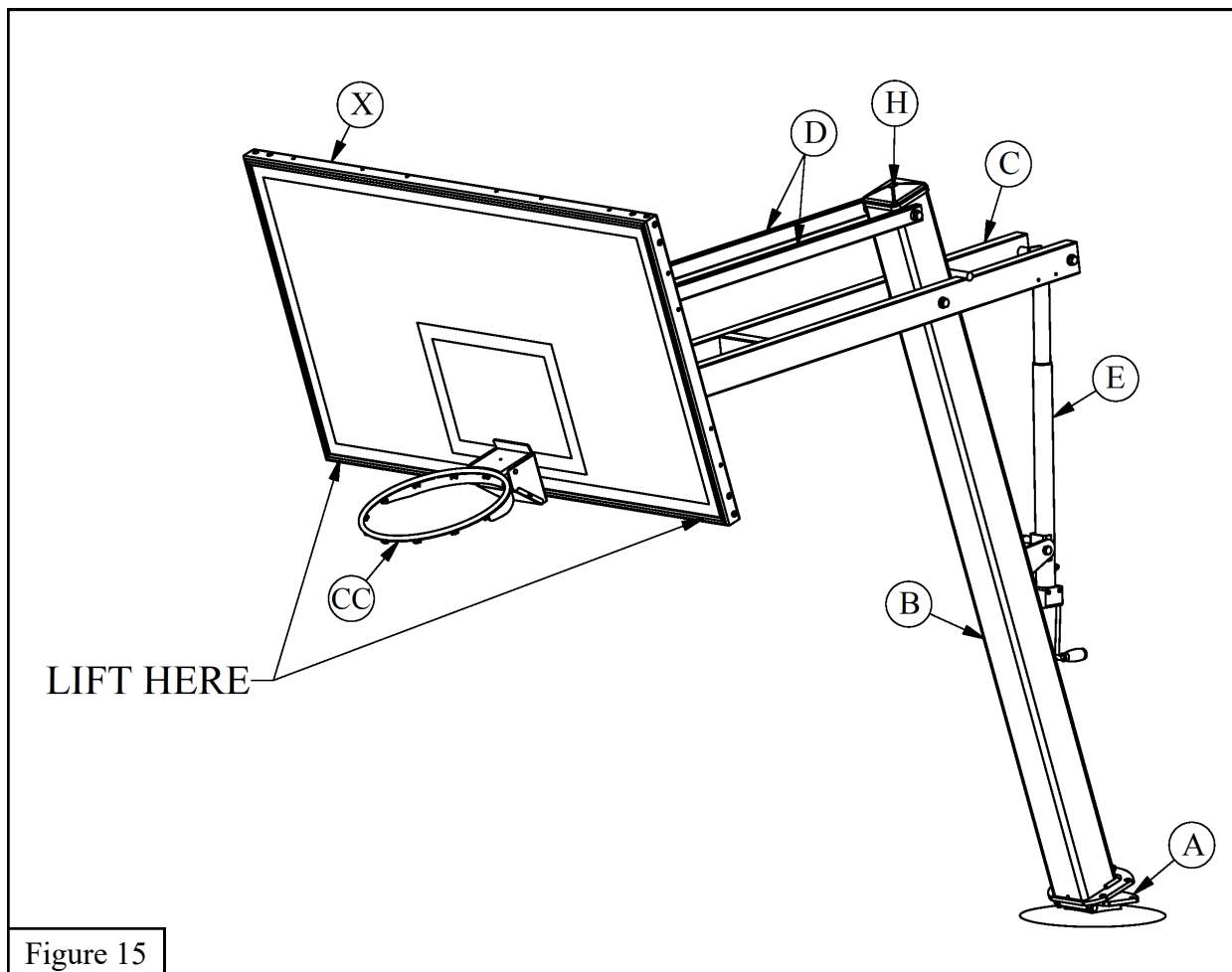
13. Install the *Rim* (CC) using the hardware and instructions provided with the *Rim* (CC). Install Net.

14. Install *Pole Cap* (H) on to the top of the *Pole* (B). See Figure 14.

15. Locate the four $5/8'' \times 1\ 1/2''$ *Hex Bolts* (R) and $5/8''$ *Lock Washers* (S). Prepare them by having the $5/8''$ *Lock Washers* (S) installed and placed by the *Ground Anchor* (A).



16. Using at least 2 people, carefully lift on the backboard to raise the assembly to a vertical position. Fasten the *Pole* (B) to the *Ground Anchor* (A) using the $5/8'' \times 1\ 1/2''$ *Hex Bolts* (R) and $5/8''$ *Lock Washers* (S). Start with 2 in the rear bolt holes. Then install the other 2 in the front bolt holes. Finger tighten the four $5/8'' \times 1\ 1/2''$ *Hex Bolts* (R). Remove the $3/4'' \times 7''$ *Hex Bolt* (K) and $3/4''$ *Hex Nut* (L) from the rear slot and replace it with a $3/4'' \times 2''$ *Hex Bolt* (T), $3/4''$ *Flat Washers* (M), and $3/4''$ *Hex Nut* (L). Fully tighten the four $5/8'' \times 1\ 1/2''$ *Hex Bolts* (R) as well as the $3/4'' \times 2''$ *Hex Bolt* (T) and $3/4''$ *Hex Nut* (L). See Figures 15 & 16.



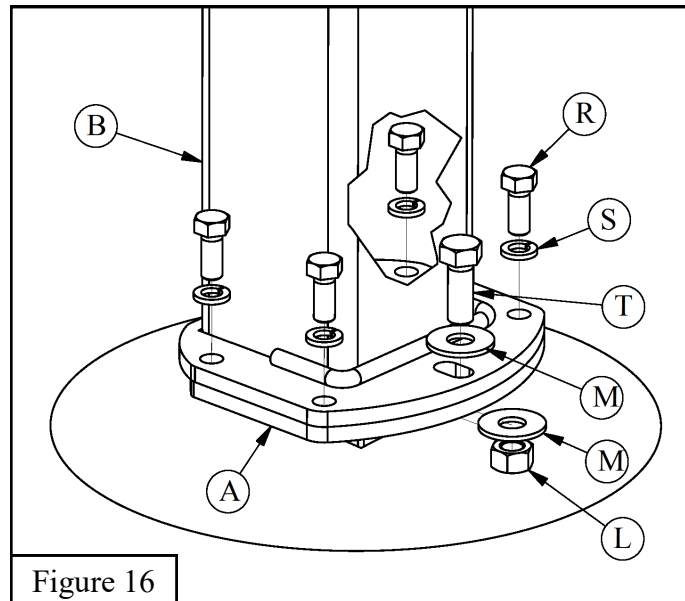
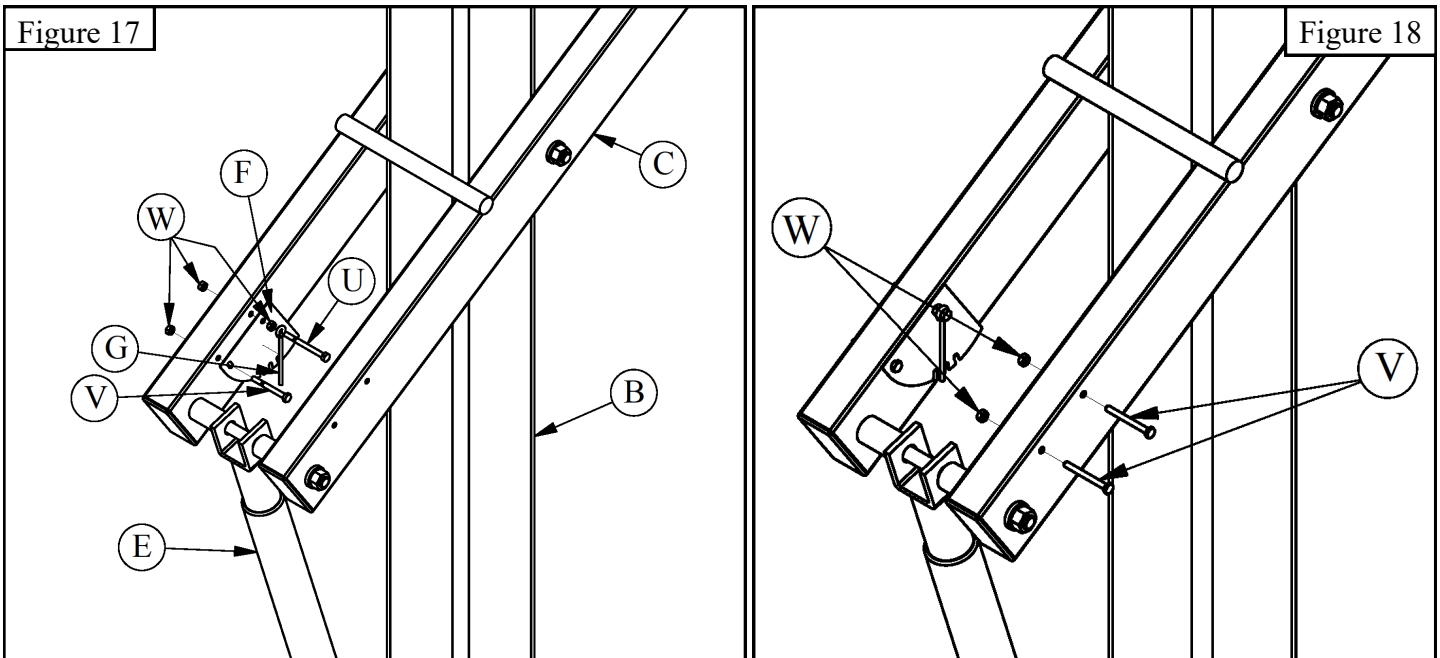


Figure 16

17. Attach *Height Gauge* (F) to the *Lower Arm* (C) with a $1/4'' \times 2 1/2''$ *Hex Bolt* (V) and $1/4''$ *Hex Nut* (W) in the back mounting hole. Slide the *Pointer* (G) onto a $1/4''-20 \times 3''$ *Hex Bolt* (U) then install one $1/4''$ *Hex Nut* (W) against the *Pointer* (G) with just enough slack to let the *Pointer* (G) rotate freely on the $1/4''-20 \times 3''$ *Hex Bolt* (U). Pass this assembly through the front mounting hole in the *Lower Arm* (C) and tighten with the remaining $1/4''$ *Hex Nut* (W). You must tighten the $1/4''$ *Hex Nuts* (W) against each other to lock this assembly in place, if you tighten the $1/4''-20 \times 3''$ *Hex Bolt* (U) you will also tighten the assembly against the *Pointer* (G). The *Pointer* (G) must rotate freely on the $1/4''-20 \times 3''$ *Hex Bolt* (U) once installed to accurately indicate your systems height. Leave the *Height Gauge* (F) hardware loose. See Figure 17.



18. Crank the system up so the *Rim* (CC) is at 10', use a tape measure to assure the rim is at 10'. Adjust the *Height Gauge* (F) by rotating it so that it reads 10' then tighten the *Height Gauge* (F) hardware. Fill holes on the other side of the *Lower Arm* (C) with the $1/4'' \times 2 1/2''$ *Hex Bolts* (V) and $1/4''$ *Hex Nuts* (W). See Figure 18.

19. Install *Pole Pad* (DD) & *Backboard Padding* (EE) if applicable per the instructions included with them.